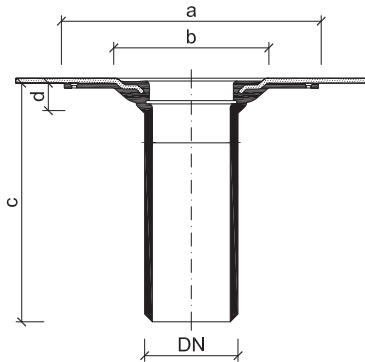


## Attachments for heat insulation for roof outlets TOPWET TWN

### BASIC INFORMATION

<b>purpose</b>	drainage of flat roofs, terraces and balconies
<b>material</b>	outlet body – polyamide PA6, protective basket – polyamide PA6
<b>integrated connection sleeve</b>	BIT – modified bitumen strip SBS, PVC – mPVC based foil, TPO – thermoplastic (flexible) polyolefin, EPDM – synthetic rubber foil, PE – polyethylene foil, STE – a sleeve for connecting of waterproofing screed
<b>colour</b>	orange
<b>load category</b>	H 1,5
<b>certification</b>	EN 1253-2:2015 - Gullies for buildings - Part 2: Roof drains and floor gullies without trap
<b>manufacturer</b>	TOPWET s.r.o., náměstí Viléma Mrštíka 62, 664 81 Ostrovačice, Czech Republic
<b>documents (name, number, date, issued by – name and address)</b>	document dated 29 November 2012 issued by TÜV Rheinland LGA Products GmbH, Dreikronenstraße 31, 97082 Würzburg

### TECHNICAL PARAMETERS



### Attachments for heat insulation for roof outlets TOPWET

Type	For outlets TW / TWE	Dimensions [mm]				For the heigh of heat insulation
		a	b	c	d	
TWN v220	75, 110, 125	330	200	290	40	40–220
TWN v300	75, 110, 125	330	200	370	40	40–300
TWN v500	75, 110, 125	330	200	540	40	40–500
TWNE v300	75, 110, 125	330	200	370	100	100–300
TWNE v500	75, 110, 125	330	200	540	100	100–500
TWN v300 XL	160	342	265	330	120	120–300

All outlet attachments can be made and supplied to order in a heated version