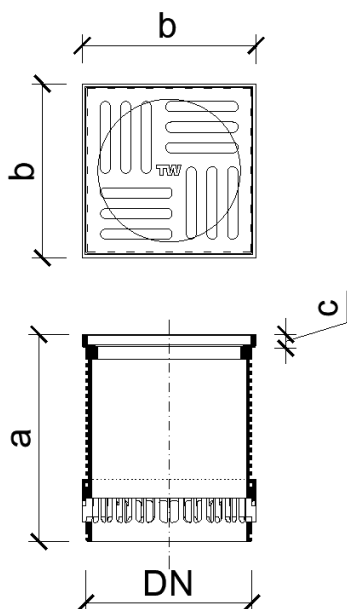


Terrace attachments TOPWET TW TER

BASIC INFORMATION

purpose	drainage of terraces and balconies
material	polyamide PA6
load category	K3 – 300 kg
certification	EN 1253-2:2015 - Gullies for buildings - Part 2: Roof drains and floor gullies without trap
manufacturer	TOPWET s.r.o., náměstí Viléma Mrštíka 62, 664 81 Ostrovačice, Czech Republic
description	TOPWET universal terrace attachment with a chrome grid 150×150 mm, for vertical and horizontal versions of TOPWET roof outlets DN 70, 100 and 125, attachments for roof outlets, sanitation outlets and extended outlets.

TECHNICAL PARAMETERS



Terrace and balcony attachments

Type	DN	Dimensions [mm]			Purpose
		a	b	c	
TW TER	125*	100	135	11	Universal terrace attachment for DN 70, 100 and 125 roof outlets, attachments for roof outlets, sanitation outlets and extended outlets
TW TER P	125*	220	135	11	

*** How can attachments be universal for various diameters of DN 70, 100 and 125 roof outlets?**

Roof outlets, attachments, sanitation outlets and extended outlets (apart from DN 150 and XL) have a neck or an integrated outlet flange of the same construction and diameter. The outlet construction only differs under the neck. The reason is universality of all the accessories.

**** What attachment type should I use if I have waterproofing screed which is at the level of the neck of the outlet??**

For this type of waterproofing you should use a TW TER attachment which can be shortened according to the height of the screed and paving.