

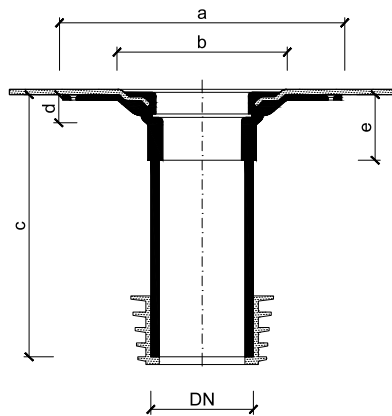


Sanitation outlets TOPWET TW SAN

BASIC INFORMATION

purpose	for drainage of flat roofs with connection to the original outlet or pipe without a neck
material	outlet body – polyamide PA6, protective basket – polyamide PA6, sanitation seal – EPDM
integrated connection sleeve	BIT – modified bitumen strip SBS, PVC – mPVC based foil, TPO – thermoplastic (flexible) polyolefin, EPDM – synthetic rubber foil, PE – polyethylene foil, STE – a sleeve for connecting of waterproofing screed
colour	grey
load category	H 1,5
certification	EN 1253-2:2015 - Gullies for buildings - Part 2: Roof drains and floor gullies without trap
manufacturer	TOPWET s.r.o., náměstí Viléma Mrštíka 62, 664 81 Ostrovačice, Czech Republic
documents (name, number, date, issued by – name and address)	Bescheinigung Nr. 7313208z from 8. 5. 2014, issued by TÜV Rheinland LGA Products GmbH, Dreikronenstraße 31, 97082 Würzburg

TECHNICAL PARAMETERS



Sanitation outlets for heated roofs

Type	DN	Dimensions [mm]				
		a	b	c*	d	e
TW SAN 50	50	330	220	400	40	90
TW SAN 75	70	330	220	400	40	90
TW SAN 90	90	330	220	400	40	90
TW SAN 104	104	330	220	400	40	90
TW SAN 110	100	330	220	400	40	90
TW SAN 125	125	330	220	400	40	90
TW SAN 160	150	342	265	400	40	120

* upon order it is possible to extend up to 2,000 mm