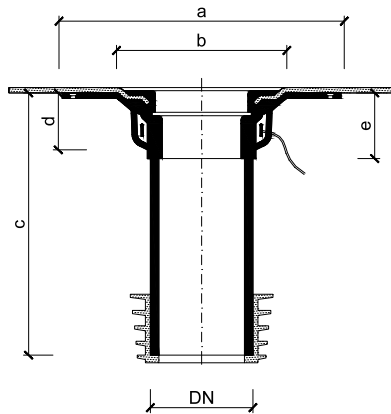


Heated sanitation outlets TOPWET TWE SAN

BASIC INFORMATION

purpose	flat roof drainage with connection to the original outlet or pipe without a neck with electric heating
material	outlet body – polyamide PA6, protective basket – polyamide PA6, sanitation seal – EPDM
integrated connection sleeve	BIT – modified bitumen strip SBS, PVC – mPVC based foil, TPO – thermoplastic (flexible) polyolefin, EPDM – synthetic rubber foil, PE – polyethylene foil, STE – a sleeve for connecting of waterproofing screed
colour	grey
load category	H 1,5
certification	EN 1253-2:2015 - Gullies for buildings - Part 2: Roof drains and floor gullies without trap
manufacturer	TOPWET s.r.o., náměstí Viléma Mrštíka 62, 664 81 Ostrovačice, Czech Republic
documents (name, number, date, issued by – name and address)	Bescheinigung Nr. 7313208z from 8. 5. 2014, issued by TÜV Rheinland LGA Products GmbH, Dreikronenstraße 31, 97082 Würzburg

TECHNICAL PARAMETERS



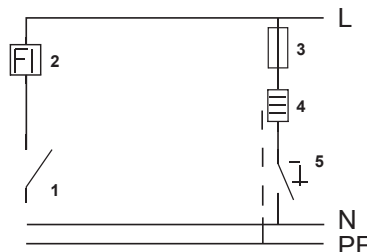
Heated sanitation outlets for heat-insulated roofs

Type	DN	Dimensions [mm]				
		a	b	c*	d	e
TWE SAN 50	50	330	220	400	80	90
TWE SAN 75	70	330	220	400	80	90
TWE SAN 90	90	330	220	400	75	90
TWE SAN 104	104	330	220	400	80	90
TWE SAN 110	100	330	220	400	80	90
TWE SAN 125	125	330	220	400	80	90
TWE SAN 160	150	342	265	400	90	120

* upon order it is possible to extend up to 2,000 mm

HEATING PARAMETERS

- Connection is made in the electrical box under the roof structure
- The supply cable length for the outlet is 1,5 m (kabel CYKY 3x1,5 mm)
- Wiring connection: yellow and green – guard black – phase, blue - neutral
- Alternating voltage: 230 V, 50 Hz
- Input: variable, according to the ambient ambient temperature, approx: 4 W at 20°C / 7 W at 0°C / 12 W at -20°C
- Max. current surge: 400 mA
- Enclosure rating: IP 67



- 1 – main switch
- 2 – current protection
- 3 – circuit breaker
- 4 – roof outlet
- 5 – thermostat or switch
- L – phase (black)
- N – neutral (blue)
- PE – guard (green and yellow)