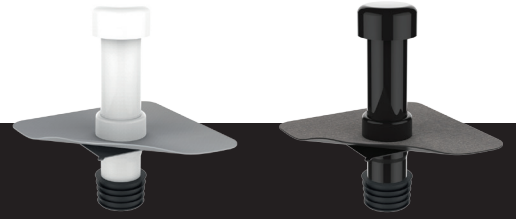


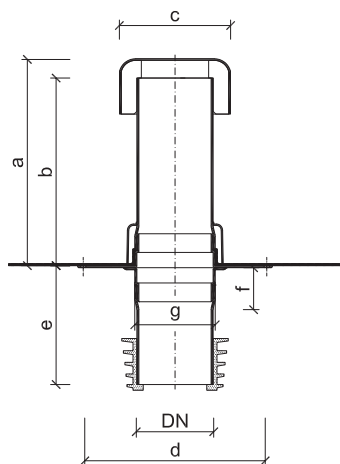
**Sanitation ventilation  
TOPWET TWOP SAN**



**BASIC INFORMATION**

<b>purpose</b>	ventilation of flat roofs with connection to the original piping
<b>material</b>	polyamide PA6 / PVC – UV Stabil, sanitation seal – EPDM
<b>integrated connection sleeve</b>	BIT – modified bitumen strip SBS, PVC – mPVC based foil, TPO – thermoplastic (flexible) polyolefin, EPDM – synthetic rubber foil, PE – polyethylene foil, STE – a sleeve for connecting of waterproofing screed
<b>colour</b>	white, black
<b>manufacturer</b>	TOPWET s.r.o., náměstí Viléma Mrštika 62, 664 81 Ostrovačice, Czech Republic

**TECHNICAL PARAMETERS**



**Sanitation ventilation**

Type	DN	Dimensions [mm]						
		a	b	c	d	e	f	g
TWOP SAN 50	50	360	332	110	250×250	200	60	56
TWOP SAN 75	70	360	332	110	250×250	200	60	81
TWOP SAN 90	90	360	332	160	250×250	200	60	96
TWOP SAN 110	110	360	332	160	250×250	200	60	116
TWOP SAN 125	125	360	332	160	250×250	200	60	131