

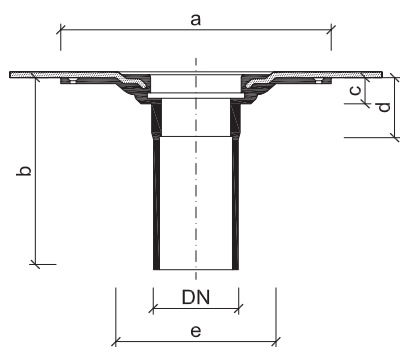


Extended single-wall roof outlets TOPWET TWJ

BASIC INFORMATION

purpose	drainage of flat roofs, terraces and balconies
material	outlet body – polyamide PA6, protective basket – polyamide PA6
integrated connection sleeve	BIT – modified bitumen strip SBS, PVC – mPVC based foil, TPO – thermoplastic (flexible) polyolefin, EPDM – synthetic rubber foil, PE – polyethylene foil, STE – a sleeve for connecting of waterproofing screed
colour	grey
load category	H 1,5
certification	EN 1253-2:2015 - Gullies for buildings - Part 2: Roof drains and floor gullies without trap
manufacturer	TOPWET s.r.o., náměstí Viléma Mrštíka 62, 664 81 Ostrovačice, Czech Republic

TECHNICAL PARAMETERS



Extended single-wall roof outlets

Type	DN	Dimensions [mm]				
		a	b	c	d	e
TWJ 50	50	330	400	40	90	200
TWJ 75	70	330	400	40	90	200
TWJ 90	90	330	400	40	90	200
TWJ 110	100	330	400	40	90	200
TWJ 125	125	330	400	40	90	200
TWJ 160	150	342	400	40	120	265