

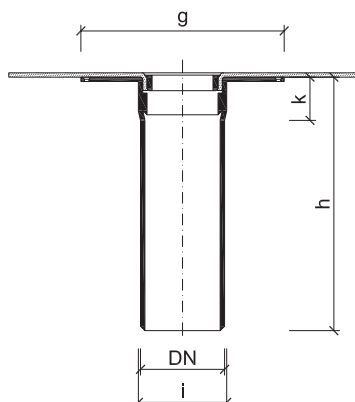


## Extended single-wall roof outlets for roofs without heat insulation TOPWET TWJ BZ

### BASIC INFORMATION

<b>purpose</b>	drainage of flat roofs, terraces and balconies
<b>material</b>	outlet body – polyamide PA6, protective basket – polyamide PA6
<b>integrated connection sleeve</b>	BIT – modified bitumen strip SBS, PVC – mPVC based foil, TPO – thermoplastic (flexible) polyolefin, EPDM – synthetic rubber foil, PE – polyethylene foil, STE – a sleeve for connecting of waterproofing screed
<b>colour</b>	white
<b>load category</b>	H 1,5
<b>certification</b>	EN 1253-2:2015 - Gullies for buildings - Part 2: Roof drains and floor gullies without trap
<b>manufacturer</b>	TOPWET s.r.o., náměstí Viléma Mrštíka 62, 664 81 Ostrovačice, Czech Republic

### TECHNICAL PARAMETERS



#### Extended single-wall roof outlets – roofs without heat insulation

Type	DN	Dimensions [mm]			
		g	h	i	k
TWJ BZ 50	50	250	400	56	60
TWJ BZ 75	70	250	400	81	60
TWJ BZ 90	90	250	400	96	60
TWJ BZ 110	100	250	400	116	60
TWJ BZ 125	125	250	400	131	60

The outlet can be pushed in an existing outlet, pipe or gutter as far as the neck but it has lower outflow capacity

#### What is the difference between a standard outlet and BZ outlet?

Outlets marked BZ (without heat insulation) are intended for constructions, gutters or sanitation without heat insulation when it is necessary to insert the outlet into a pipe or opening as far as the neck. Compared to the standard version, BZ outlets have a lower outflow capacity.