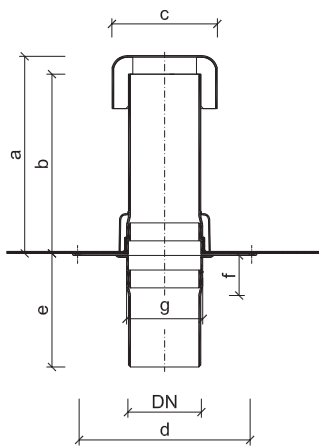


## Sewerage ventilation TOPWET TWOP

### BASIC INFORMATION

<b>purpose</b>	pipeline ventilation through the flat roof
<b>integrated connection sleeve</b>	BIT – modified bitumen strip SBS, PVC – mPVC based foil, TPO – thermoplastic (flexible) polyolefin, EPDM – synthetic rubber foil, PE – polyethylene foil, STE – a sleeve for connecting of waterproofing screed
<b>colour</b>	white, black
<b>manufacturer</b>	TOPWET s.r.o., náměstí Viléma Mrštíka 62, 664 81 Ostrovačice, Czech Republic

### TECHNICAL PARAMETERS



#### Sewerage ventilation

Type	DN	Cross section [cm <sup>2</sup> ]	Dimensions [mm]						
			a*	b*	c	d	e*	f	g
TWOP 50	50	15	360	332	110	250	200	60	56
TWOP 75	70	37	360	332	110	250	200	60	81
TWOP 110	100	85	360	332	160	250	200	60	116
TWOP 125	125	111	360	332	160	250	200	60	131

\* upon order it is possible to extend up to 2,000 mm