

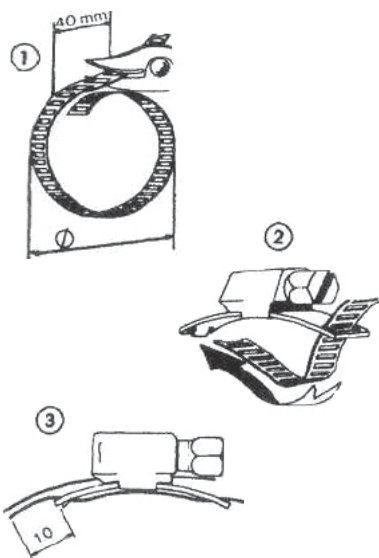


Endless fastening tape TOPWET TWSP NEK and TWSP ZAM

BASIC INFORMATION

purpose	endless fully stainless fastening tape with separate locks for waterproof finish of TWOT, TWUT, TWOB and TWUB fittings on structural entries
material	stainless chrome-nickel steel (17–20 % chrome, 9–12 % nickel)
manufacturer	OČVeD s.r.o., Dobrá 485, 739 51 Dobrá, Czech republic
description	Endless fully stainless fastening tape with separate locks for TWOT and TWUT waterproof finish on structural entries. It enables manufacturing of fastening tape of any diameter. The locks have a galvanised stainless steel screw. Zinc is used as lubricator, without it the clip is fastened with great difficulty.

TECHNICAL PARAMETERS AND ASSEMBLY PROCEDURE



Endless fastening tape

Tape type	Dimensions	
	Tape width [mm]	length [m]
TWSP NEK 3	8	3
TWSP NEK 25	8	25
TWSP NEK 25 š.14	14	25

Lock type	Type of the lock for the tape width [mm]	packaging of [pcs]
TWSP ZAM	8	25
TWSP ZAM š.14	14	25