

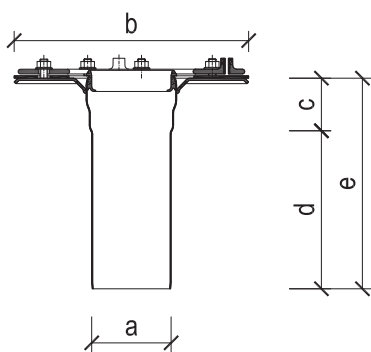


Traverse outlets and attachments TW POJEZD and TWN POJEZD

BASIC INFORMATION

purpose	drainage of parking areas, flat roofs, terraces and balconies
material	stainless steel, insulation sleeve: solid loose flange
load category	up to 1,5t (up to 12t)
certification	EN 1253-2:2015 - Gullies for buildings - Part 2: Roof drains and floor gullies without trap
manufacturer	LOROWERK K. H. Vahlbrauk GmbH & Co. KG, Kriegerweg 1, 37581 Bad Gandersheim, Germany

TECHNICAL PARAMETERS



Traverse outlets and attachments

Type	Dimensions [mm]				
	a	b	c	d	e
TW POJEZD 110	102	300	127	143	270
TW POJEZD 125	133	330	137	143	280
TWN POJEZD 110	102	300	67	203	270
TWN POJEZD 125	133	330	72	208	280